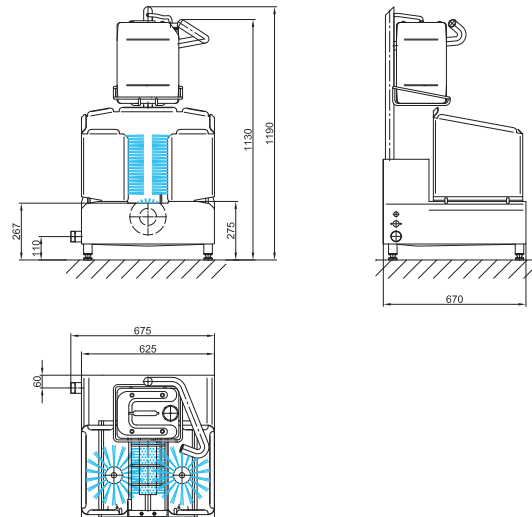


Boot cleaner type 23800



Optimal cleaning and hygiene

- Cleaning of bootleg and sole by rotating brushes
- Touch sensor in the handle to start the cleaning process
- Cleaning in two phases:
 1. Cleaning detergent is supplied to each brush using separate spray-pipes and mixed with water
 2. Rinsing with water
- Short cleaning time at low operation cost
- Splash protection by special casing
- Brushes can be removed without tools
- Easy to clean
- Separation of pipes according to DVGW regulation
- Conform to EU and US hygiene regulations, the valid regulations of the TÜV as well as the VDE guidelines
- The device will be delivered with mains plug (Siphon, water connection, sewage drain, sealing and small parts are not included)

Technical data

Type	Sole cleaner type 23800
Power supply	400V, 3/N/PE
Mains frequency	50-60 Hz
Power consumption	0.75 kW
Control voltage	24V DC
Protection class	IP65
Water supply	3/4" WW, max. 40°C
Drain	1 1/2"
Water consumption	2 l per cleaning process
Cleaning time	5-10 sec. per boot

Technical data may be subject to changes



Contact

CN: shanghai@frontmatec.com
Phone: +86 215 859 4850

DK: kolding@frontmatec.com
Phone: +45 763 427 00

NL: rijssen@frontmatec.com
Phone: +31 886 294 000

UK: birmingham@frontmatec.com
Phone: +44 121 313 3564

itec-hygiene.com
frontmatec.com

DE: hygiene@frontmatec.com
Phone: +49 252 185 070

ES: barcelona@frontmatec.com
Phone: +34 932 643 800

RU: moscow@frontmatec.com
Phone: +7 495 424 9559

US: kansascity@frontmatec.com
Phone: +1 816 891 2440