

**CASH®** Magnum XL

## Spare parts list and diagram



©2018 Frontmatec Accles & Shelvoke Ltd

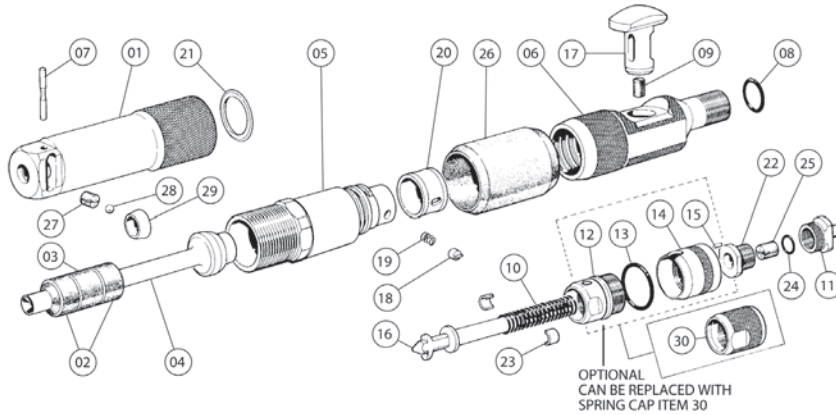


DO NOT ATTEMPT TO USE THESE STUNNING TOOLS UNTIL  
YOU HAVE READ AND UNDERSTOOD THE USER MANUAL

ONLY EVER USE GENUINE ACCLES & SHELVOKE REPLACEMENT PARTS. NOT USING GENUINE PARTS MAY LEAD TO PREMATURE COMPONENT AND TOOL FAILURE, WHICH COULD ENDANGER THE OPERATOR AND THOSE IN THE IMMEDIATE VICINITY. IT WILL ALSO INVALIDATE OUR ORIGINAL EQUIPMENT WARRANTY.

ACCLES & SHELVOKE WILL ACCEPT NO LIABILITY IF ANY COMPONENTS OTHER THAN THOSE SUPPLIED BY ACCLES & SHELVOKE ARE USED WITH OUR ORIGINAL EQUIPMENT. THE RESULTANT LIABILITY WILL BE WITH THE END USER OR THE DISTRIBUTOR WHO SUPPLIED THE UNAPPROVED REPLACEMENT PARTS.

FIG. 11.01



©2018 Accles & Shelvoke

Item no.	Part description	Qty per set	SPARE PART BY PRODUCT CODE	
				5657
1	Barrel	1		5741
2	Buffer hard black	2		5621
3	Buffer soft red	1		5632
4	Bolt	1		5756-SM
5	Breech	1		5629
6	Breech cap	1		5737
7	Collar retaining pin	1		5726
8	Small O-ring	1		5627
9	Trigger spring	1		5628
10	Firing pin spring	1		5755
11	Pull	1		5702
12	Cap inner	1		5693
13	O-ring	1		5695
14	Stop fire cap	1		5692
15	Stop pin	1		3036
15A	Stop fire assembly (complete)	1		5691
16	Firing pin	1		5690
17	Trigger	1		5689
18	Extractor plunger	1		5636
19	Plunger spring	1		5637
20	Extractor	1		5638
21	Lock washer	1		5639
22	Pull bush	1		5640
23	Pull split bush (pair)	1		5641
24	Pull lock O-ring	1		5642
25	Pull spring	1		5710
26	Breech locking cover	1		5664
27	Collar spring	1		5631
28	Ball	1		3042
29	Collar	1		5622
30	Spring cap	1		5696