

SERVICE SOLUTIONS // HOW TO

HOW TO ENSURE A PRECISE CUT OF THE BREASTBONE AND BELLY ON YOUR AUTOLINE CARCASS OPENER APO7 / OMEGA

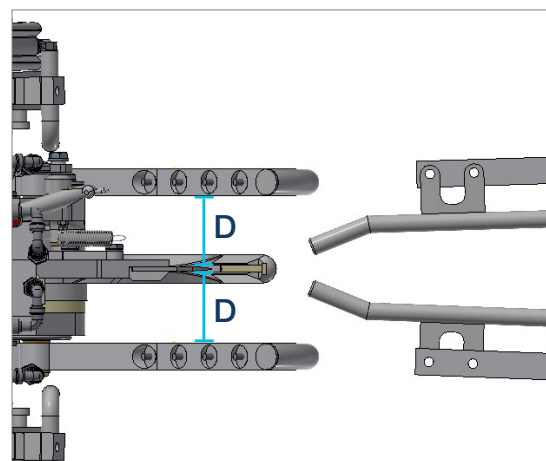
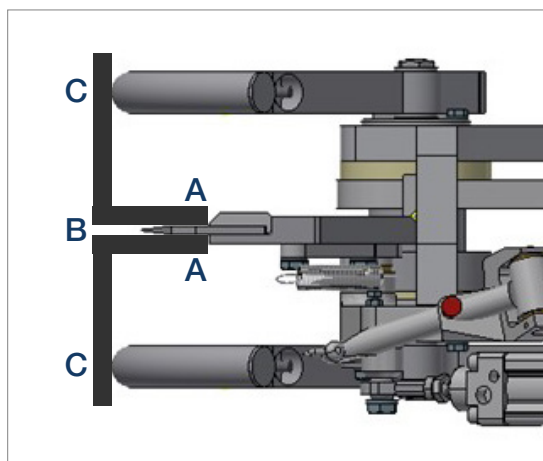
Following procedure must be performed weekly.

In-and-Out measurement of breastbow guides

1. Place your angle on the fixpoint of the knife - **position A**
2. Lean the angle along the knife and on the fixpoint on the knife holder, ensuring a fixed position of the angle - **position B**
3. Pull the breastbow guides back to fit the angle and then move the angle to the other side, making sure NOT to move the breastbow
4. Ensure that the distance between the angle and the breastbows are the same on both sides - **position C**
5. If the distance is not the same, give us a call, and we will guide you

Sideway measurement of the breastbows guides

1. Set your Autoline APO7 / OMEGA on Auto stop
2. Activate the wash position
3. Use a measuring tape and measure from the side of the breastbow to the center of the knife - **position D**
4. The measurement from the side of the breastbow to the center of the knife has to be the same on both sides to ensure a precise cut



CONTACT

Central/Eastern Europe
+49 252 185 070
service.de@frontmatec.com

Northern Europe, Kolding
+45 36 999 099
service.kol.dk@frontmatec.com

Northern Europe, Tandslet
+45 74 407 644
service.tan.dk@frontmatec.com

Southern Europe
+34 932 643 800
service.es@frontmatec.com

Western Europe
+31 886 294 000
service.nl@frontmatec.com