

SERVICE SOLUTIONS // HOW TO

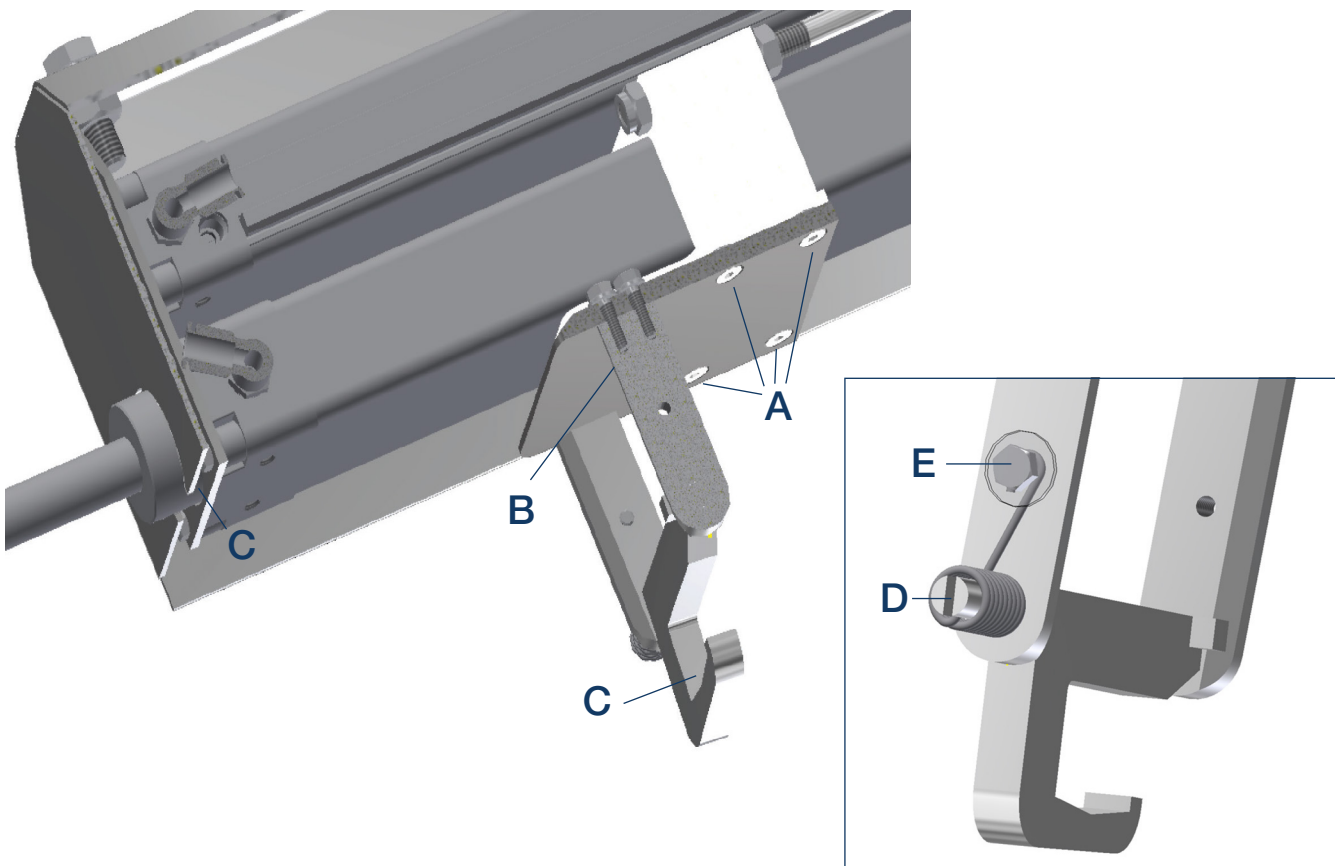
HOW TO CHANGE THE HOOK AND SPRING ON YOUR BLADE BONE PULLER

Reverse or exchange the hook:

1. Dismantle 4 bolts and remove the lower plate from the blade bone puller - position A
2. Dismantle 2 bolts on the lower plate to remove the plate sustaining the hook - position B
3. Now you can exchange or reverse the hook - position C
4. Re-mount bolts position A & B, ensure to use Loctite when remounting

Change the spring:

5. Dismantle the bolt and remove spring - position E
6. Renew the spring, ensure it is aligned in the milling line for correct re-positioning hook of - position D



Hook - part number	Left spring - part number	Right spring - part number
4001247072	4001247043	4001247044

ServiceSolutions_V1-0_2023_EN

CONTACT

Central/Eastern Europe
+49 252 185 070
service.de@frontmatec.com

Northern Europe, Kolding
+45 36 999 099
service.kol.dk@frontmatec.com

Northern Europe, Tandslet
+45 74 407 644
service.tan.dk@frontmatec.com

Southern Europe
+34 932 643 800
service.es@frontmatec.com

Western Europe
+31 886 294 000
service.nl@frontmatec.com